

Waste Conveyors

FIELDS OF APPLICATION FOR WASTE CONVEYORS

- MODEL SERIES 2012 -

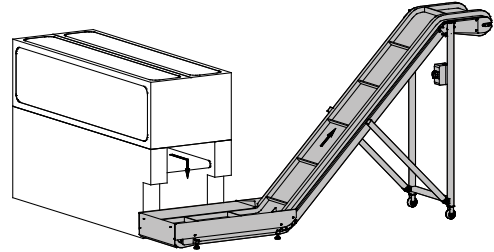


on BUSCH die-cutting machines



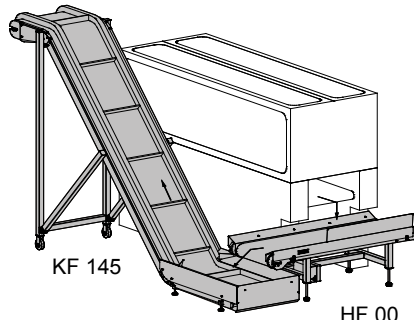
KF 110

on three-knife trimmers, direct



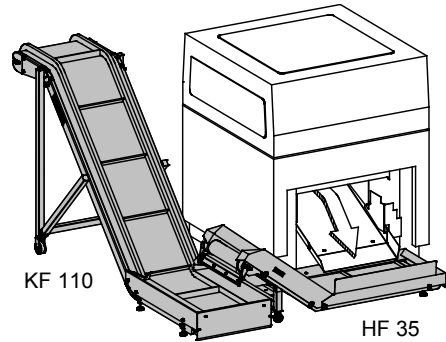
KF 145-80

on three-knife trimmers with internal conveyor or waste chute



KF 145

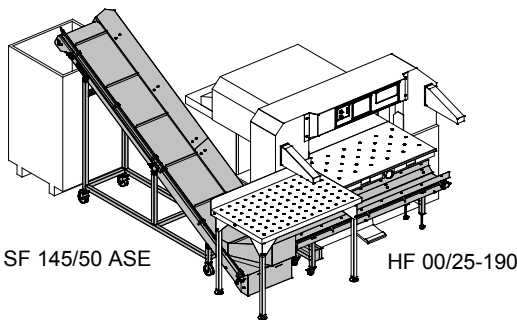
HF 00



KF 110

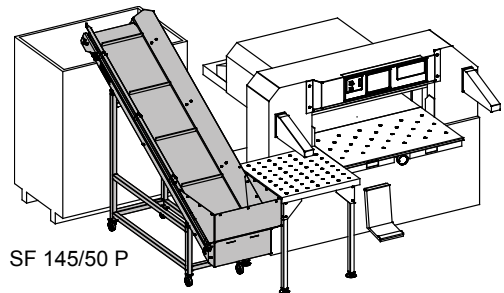
HF 35

on guillotines with or without automatic waste removal device (ASE)



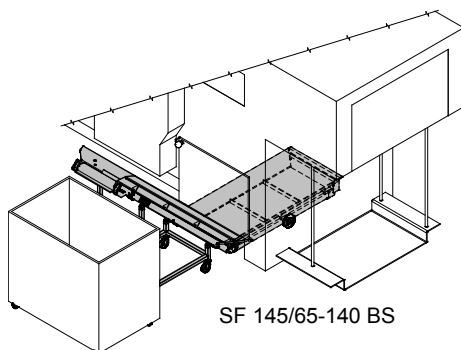
SF 145/50 ASE

HF 00/25-190

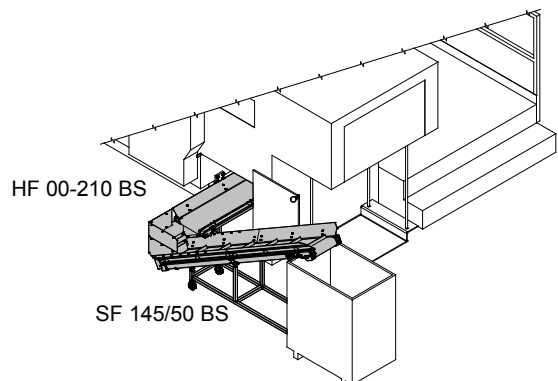


SF 145/50 P

on flat-bed die-cutters



SF 145/65-140 BS



HF 00-210 BS

SF 145/50 BS

Gerhard Busch GmbH
 Graphische Maschinen
 D-21217 Seevetal
 Brookdamm 28

Phone +49(0)40 76 91 59-0
Fax +49(0)40 76 91 59-33
E-mail: info@buschgraph.de
Internet: www.buschgraph.de

- without engagement -
 May 2012

BUSCH Waste Conveyors



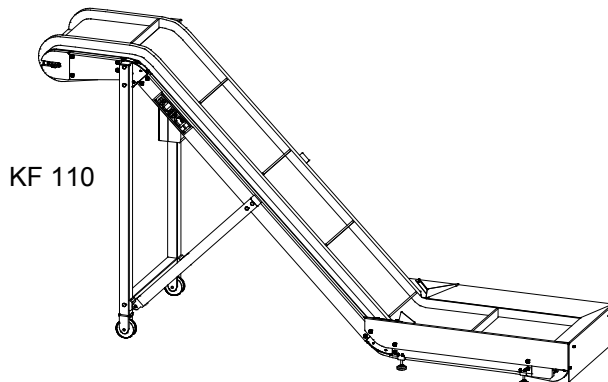
- for the removal of paper and board waste from waste chutes into containers.
- the installation of BUSCH waste conveyors achieves staff saving.

Types

Type KF

for BUSCH die-cutting machines

for three-knife trimmers

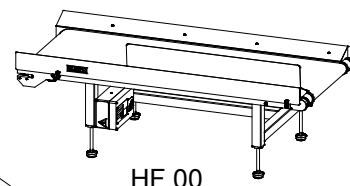
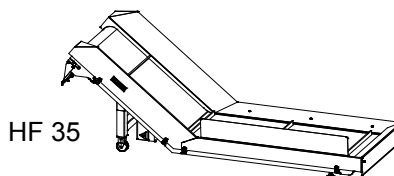


Type HF

for three-knife trimmers

for guillotines

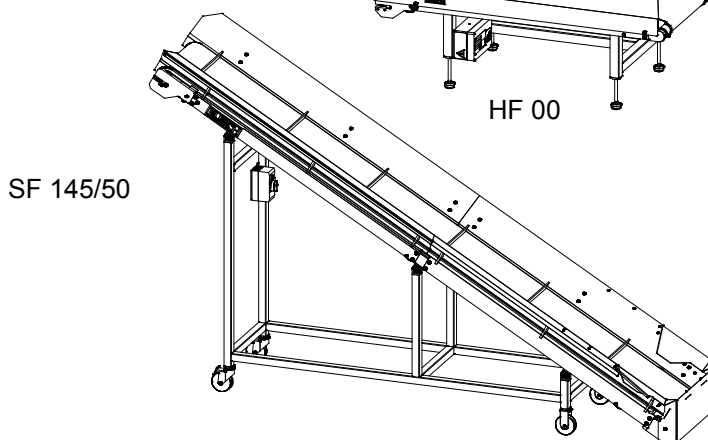
for flat-bed die-cutters



Type SF

for guillotines

for flat-bed die-cutters



Technical Data

Type		KF	HF	SF
Conveying height	mm	1100, 1450, 1750	-	1100, 1450, 1750, 1900
Length of delivery chute	mm	600, 800	-	-
Transport length	mm	-	800 - 3900	-
Width of conveyor belt	mm	500	250 / 500	500 / 650
Usable width of conveyor belt	mm	340	200 / 385	400 / 550
Conveying speed	m/s	0,4	0,3 and 0,4	0,4
- with 50 Hz		+ 20 %	+ 20 %	+ 20 %
- with 60 Hz				
Power requirements (3-phase)	kW	0,25	0,1	0,25
Power consumption 230/400V	A	1,0	0,25	1,0
Net weight	kg	88 - 120	43 - 79	88 - 190