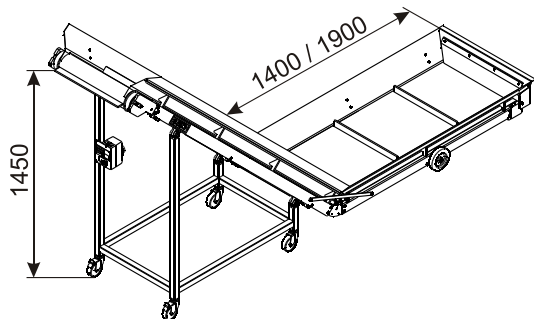
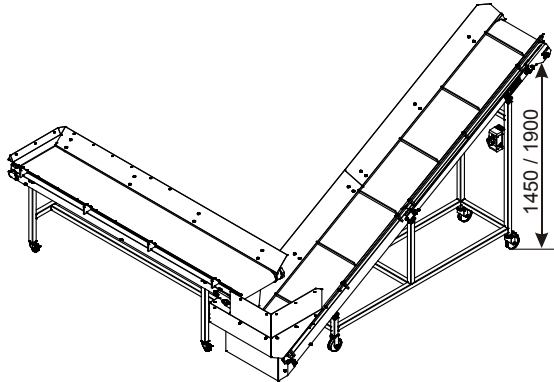


WASTE CONVEYORS FOR FLAT-BED DIE-CUTTERS

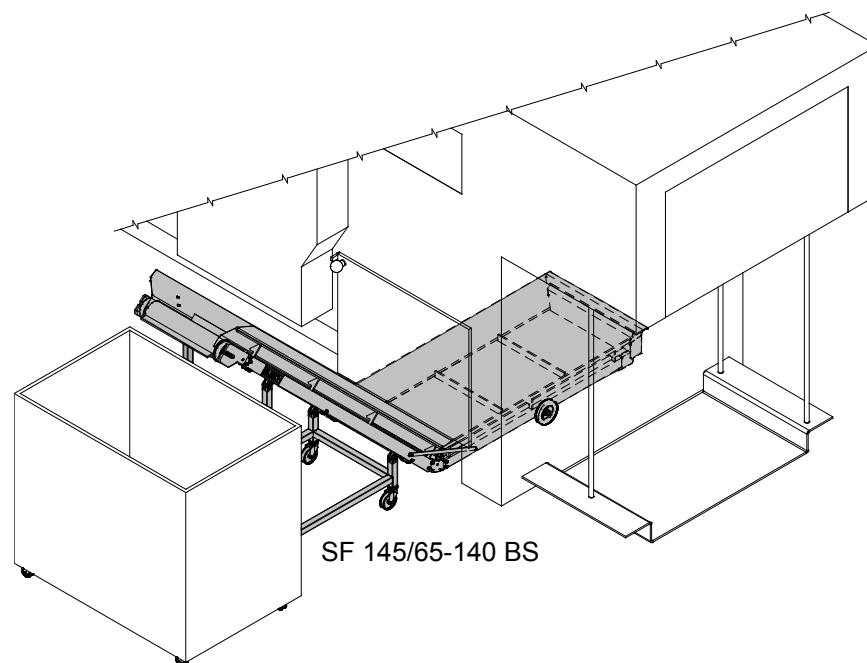
- MODEL SERIES 2012 -

| | | | | | | |
|--|--|-------------------------|---|---------------------|---------------------|---------------------|
| <p>Transport of waste from the stripping station of the flat-bed die-cutter into a container, externally positioned</p> <p>→ with one single conveyor into a container up to a height of 145 cm</p> <p>→ with two conveyors into a container up to a height of 190 cm</p> |  | |  | | | |
| | Model | SF 145/65-140 BS | SF 145/65-190 BS | SF 145/50 BS | SF 190/50 BS | HF 00-210 BS |
| Conveying height | mm | 1450 | 1450 | 1450 | 1900 | - |
| Conveying speed | m/s | 0,4 | 0,4 | 0,4 | 0,4 | 0,4 |
| Power requirements (3-ph.) | kW | 0,3 | 0,3 | 0,3 | 0,3 | 0,3 |
| Power consumption 230/400V | A | 1,0 | 1,0 | 1,0 | 1,0 | 1,0 |
| Dimensions | mm | | | | | |
| Length | | 3445 | 3945 | 2995 | 3775 | 2340 |
| Height | | 1910 | 1910 | 1815 | 2265 | 740 |
| Width | | 795 | 795 | 645 | 645 | 600 |
| Net weight | kg | 120 | 135 | 127 | 150 | 75 |

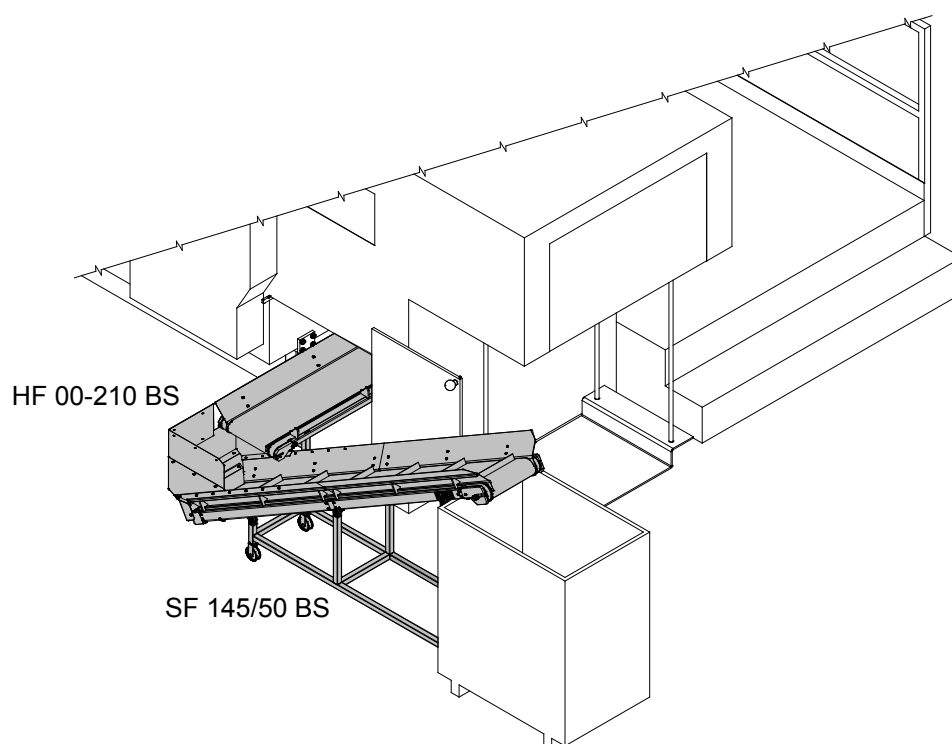
WASTE CONVEYORS FOR FLAT-BED DIE-CUTTERS

- MODEL SERIES 2012 -

Transport of waste from the stripping station of the flat-bed die-cutter into a container, externally positioned



with one single conveyor into a container up to a height of 145 cm



with two conveyors into a container up to a height of 190 cm