

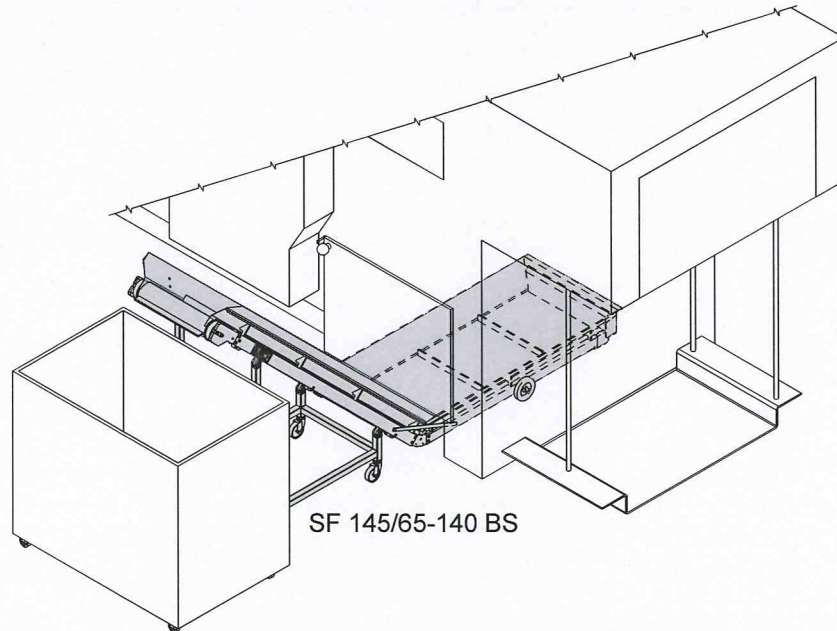
Waste Conveyors



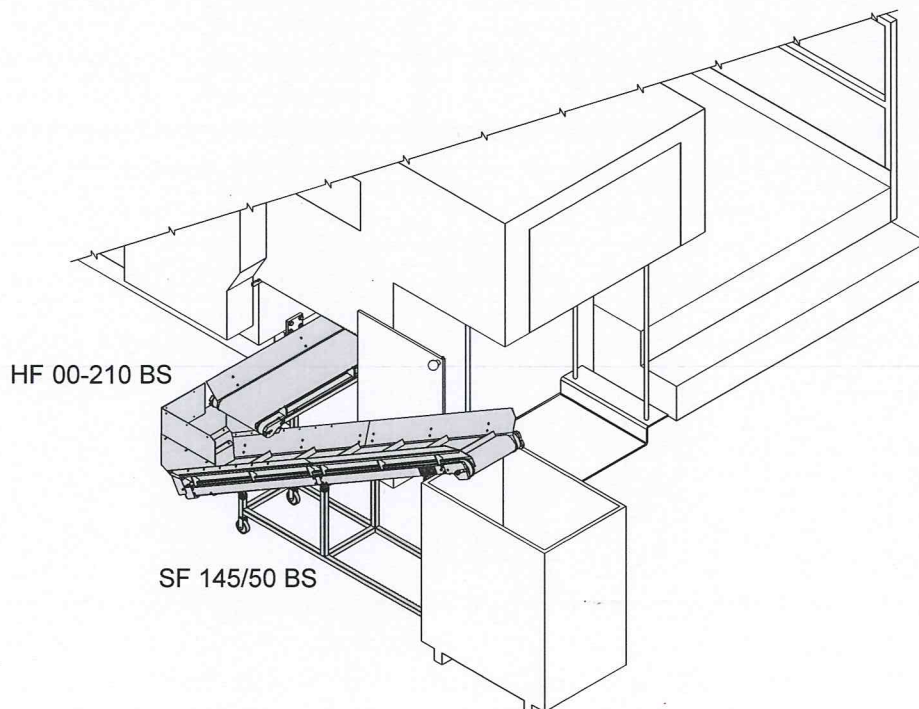
WASTE CONVEYORS FOR FLAT-BED DIE-CUTTERS

- MODEL SERIES 2020 -

Transport of waste from the stripping station of the flat-bed die-cutter into a container, externally positioned



with one single conveyor into a container up to a height of 145 cm



with two conveyors into a container up to a height of 190 cm

WASTE CONVEYORS FOR FLAT-BED DIE-CUTTERS

- MODEL SERIES 2020 -



<p>Transport of waste from the stripping station of the flat-bed die-cutter into a container, externally positioned</p> <p>→ with one single conveyor into a container up to a height of 145 cm</p> <p>→ with two conveyors into a container up to a height of 190 cm</p>								
	Model	SF 145/65-140 BS	SF 145/65-190 BS	SF 145/50 BS	SF 190/50 BS	HF 00-210 BS		
Conveying height	mm	1450	1450	1450	1900	-		
Conveying speed	m/s	0.27	0.27	0.4	0.4	0.4		
Power requirements (3-ph.)	kW	0.37	0.37	0.37	0.37	0.12		
Power consumption 230 / 400V A		1.94 / 1.1	1.94 / 1.1	1.56 / 0.9	1.56 / 0.9	0.39 / 0.67		
Dimensions	mm							
Length		3445	3945	2995	3775	2359		
Height		1910	1910	1802	2252	716		
Width		795	795	642	642	598		
Net weight	kg	120	135	127	150	75		